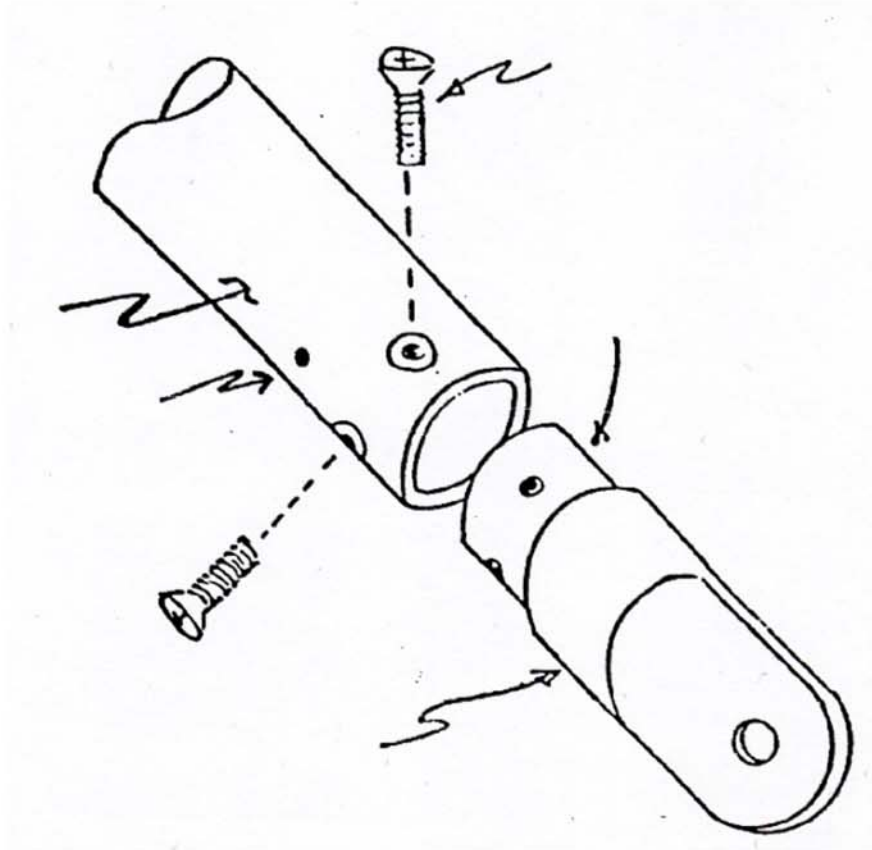




**INSTALLATION OF M100, WB009 & OTHER ATLANTIC TOWER FITTINGS INTO SCHEDULE 40 ALUMINUM PIPE**



- 1) DRILL & TAP AT 90 DEGREES FOR 1/4-20 MACHINE SCREW
  - 2) COAT END OF SOLID FITTING WITH 2 PART EPOXY
  - 3) INSTALL 1/4-20 MACHINE SCREWS WITH LOCTITE OR OTHER THREAD LOCKER (OR DIP THEM IN EPOXY)
  - 4) CLEAN EXCESS EPOXY QUICKLY
  - 5) DRILL 1/8" WEEP HOLE 1-1/2" ABOVE END OF PIPE
- \*\*\*IF YOU DO NOT WANT TO TAP HOLES, IT IS OK TO DRILL ALL THE WAY THRU THE PIPE AND FITTING AND INSTALL A 1/4-20 X 2-1/2" BOLT ALL THE WAY THRU